

# Technical data sheet



## Product features

### Cooking range electric 6x plates

<b>Model</b>	<b>SAP Code</b>	00014647
--------------	-----------------	----------



- Device type: Electric unit
- Material: AISI 304

<b>SAP Code</b>	00014647	<b>Net Weight [kg]</b>	121.00
<b>Net Width [mm]</b>	1200	<b>Power electric [kW]</b>	21.000
<b>Net Depth [mm]</b>	900	<b>Loading</b>	400 V / 3N - 50 Hz
<b>Net Height [mm]</b>	900		

# Technical data sheet



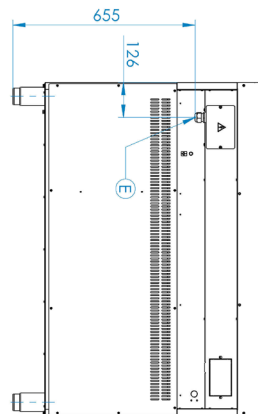
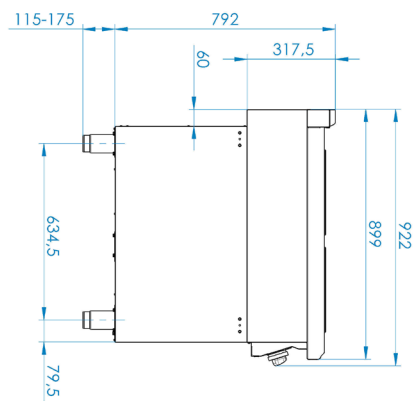
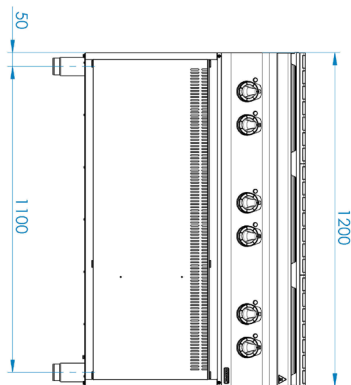
Technical drawing

Cooking range electric 6x plates

Model

SAP Code

00014647



# Technical data sheet



Technical parameters

## Cooking range electric 6x plates

Model

SAP Code

00014647

**1. SAP Code:**

00014647

**2. Net Width [mm]:**

1200

**3. Net Depth [mm]:**

900

**4. Net Height [mm]:**

900

**5. Net Weight [kg]:**

121.00

**6. Gross Width [mm]:**

1260

**7. Gross depth [mm]:**

990

**8. Gross Height [mm]:**

1180

**9. Gross Weight [kg]:**

140.00

**10. Device type:**

Electric unit

**11. Power electric [kW]:**

21.000

**12. Loading:**

400 V / 3N - 50 Hz

**13. Material:**

AISI 304

**14. Worktop Thickness [mm]:**

1.50

**15. Number of power control stages:**

7

**16. Number of burners/hot plates:**

6

**17. Type of electric cooking zones:**

Oval